

4

3

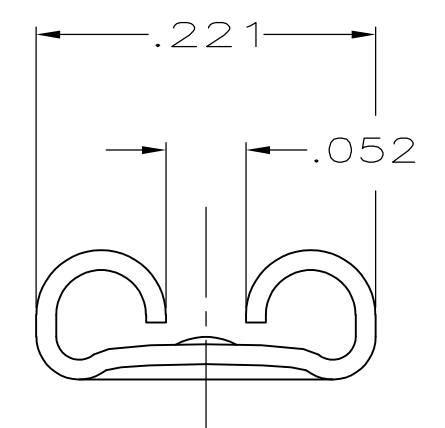
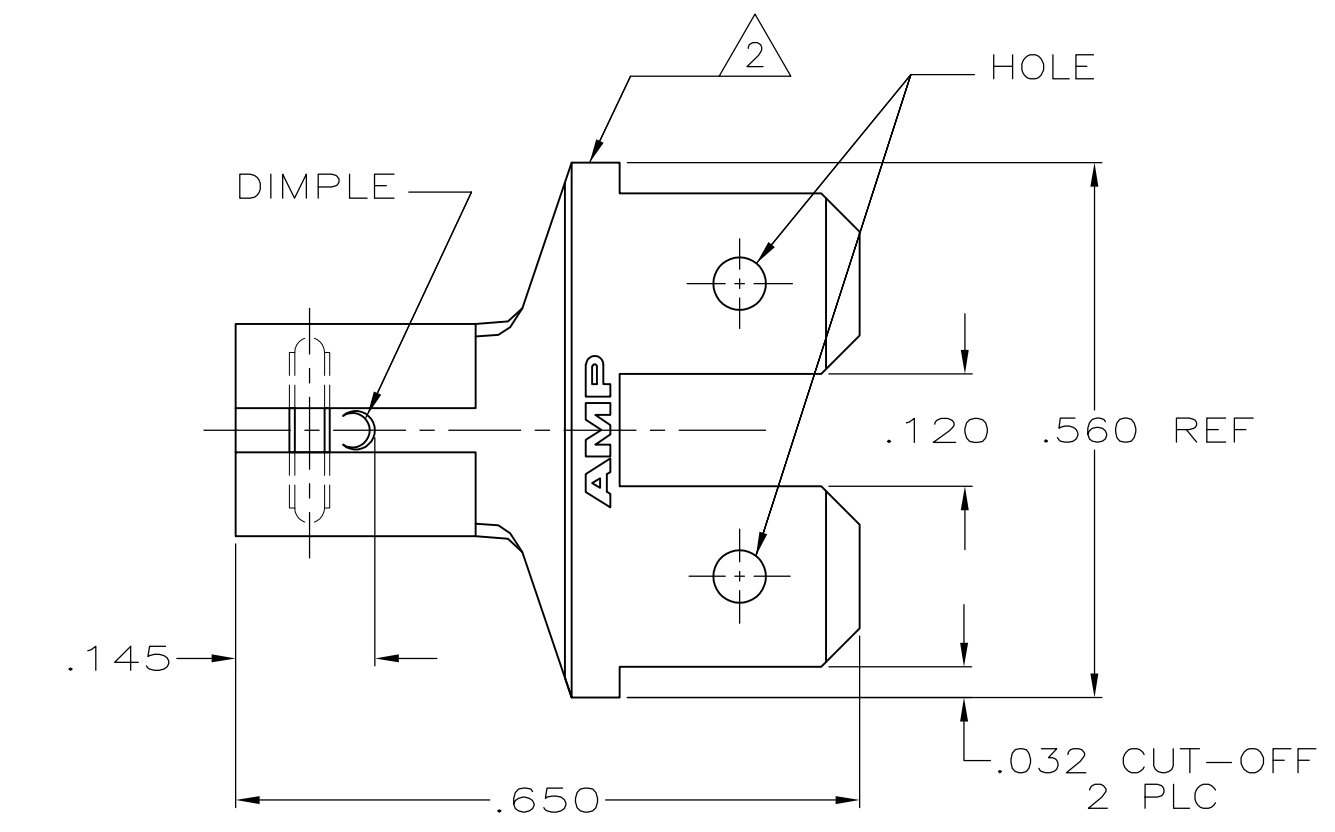
2

1

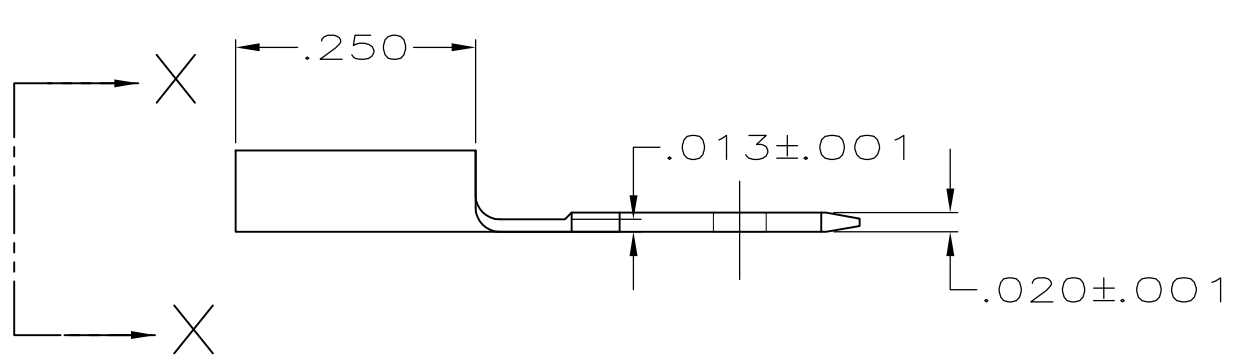
THIS DRAWING IS UNPUBLISHED. RELEASED FOR PUBLICATION
 © COPYRIGHT - By - ALL RIGHTS RESERVED.

LOC	DIST	REVISIONS			
P	LTR	DESCRIPTION	DATE	DWN	APVD
AF	50	H	REVISED PER ECR-12-013459	28NOV2012	KH PD

1 SUPPLIED IN LOOSE PIECE.
 2 BARE EDGES PERMITTED.



VIEW X-X
SCALE 8:1



OBSOLETE	.020	TIN	61045-2
		-	61045-1
	MATING TAB THK	FINISH	PART NUMBER

THIS DRAWING IS A CONTROLLED DOCUMENT.		DWN	JR RUTH	9/15/92	TE Connectivity															
DIMENSIONS: INCHES		CHK	MS FEHER	9/15/92																
		APVD	C MEYERS	9/15/92																
<table border="1"> <thead> <tr> <th colspan="2">TOLERANCES UNLESS OTHERWISE SPECIFIED:</th> </tr> </thead> <tbody> <tr> <td>0 PLC</td> <td>± -</td> </tr> <tr> <td>1 PLC</td> <td>± -</td> </tr> <tr> <td>2 PLC</td> <td>± -</td> </tr> <tr> <td>3 PLC</td> <td>± .015</td> </tr> <tr> <td>4 PLC</td> <td>± -</td> </tr> <tr> <td>ANGLES</td> <td>± -</td> </tr> </tbody> </table>		TOLERANCES UNLESS OTHERWISE SPECIFIED:		0 PLC				± -	1 PLC	± -	2 PLC	± -	3 PLC	± .015	4 PLC	± -	ANGLES	± -	PRODUCT SPEC	
TOLERANCES UNLESS OTHERWISE SPECIFIED:																				
0 PLC	± -																			
1 PLC	± -																			
2 PLC	± -																			
3 PLC	± .015																			
4 PLC	± -																			
ANGLES	± -																			
MATERIAL	BRASS	FINISH	SEE TABLE	WEIGHT	-	SIZE	A3	CAGE CODE	00779	DRAWING NO	C-61045	RESTRICTED TO	-							
CUSTOMER DRAWING				SCALE	5:1	SHEET	1 OF 1	REV	H											